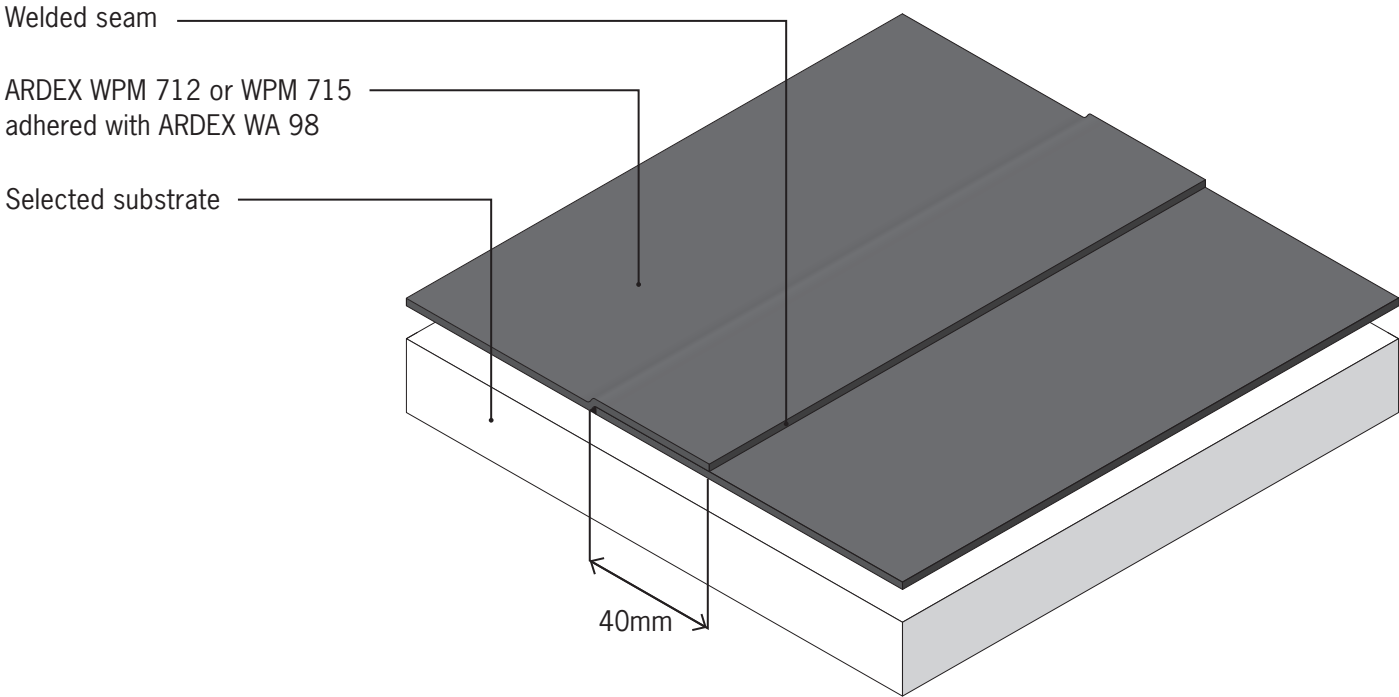
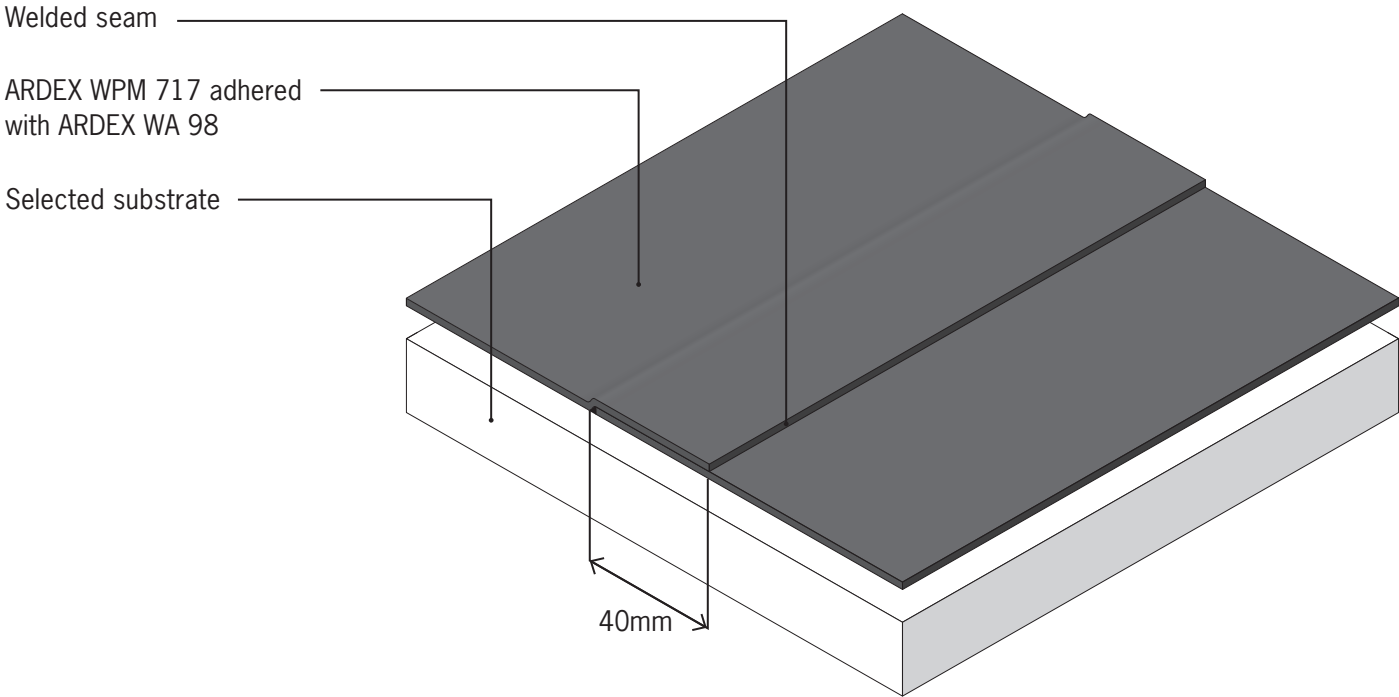

WELDTEC™ ROOFING SYSTEM

The exact functionality and buildup of systems should be discussed with your ARDEX Architectural Specifications Manager prior to finalising the design.



WELDTEC™ REMEDIAL SYSTEM

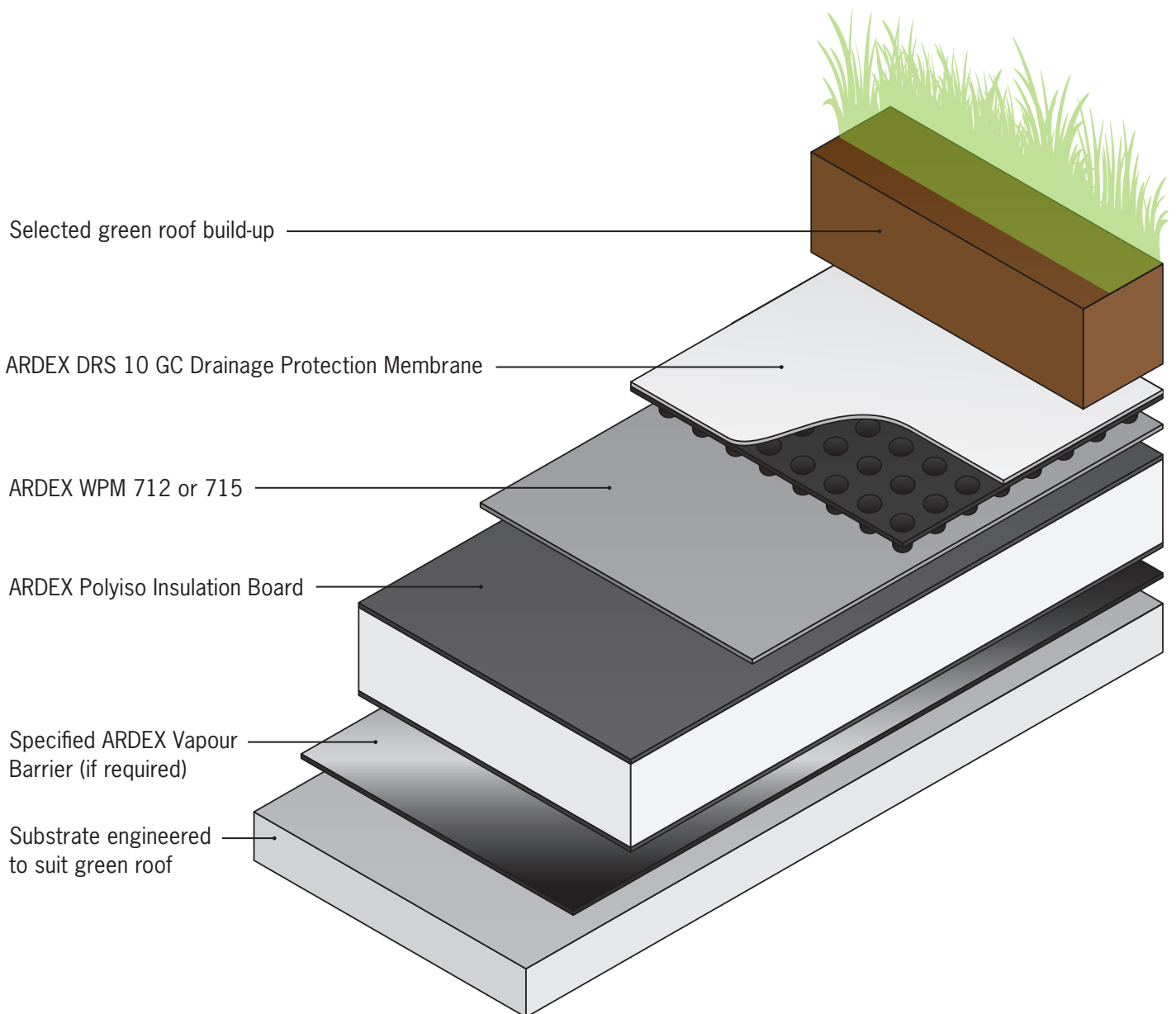
The exact functionality and buildup of systems should be discussed with your ARDEX Architectural Specifications Manager prior to finalising the design.



WELDTEC™ GREEN ROOF SYSTEM

The exact functionality and buildup of systems should be discussed with your ARDEX Architectural Specifications Manager prior to finalising the design.

Fastening of ARDEX Polyiso Board has been omitted from these illustrations for clarity.

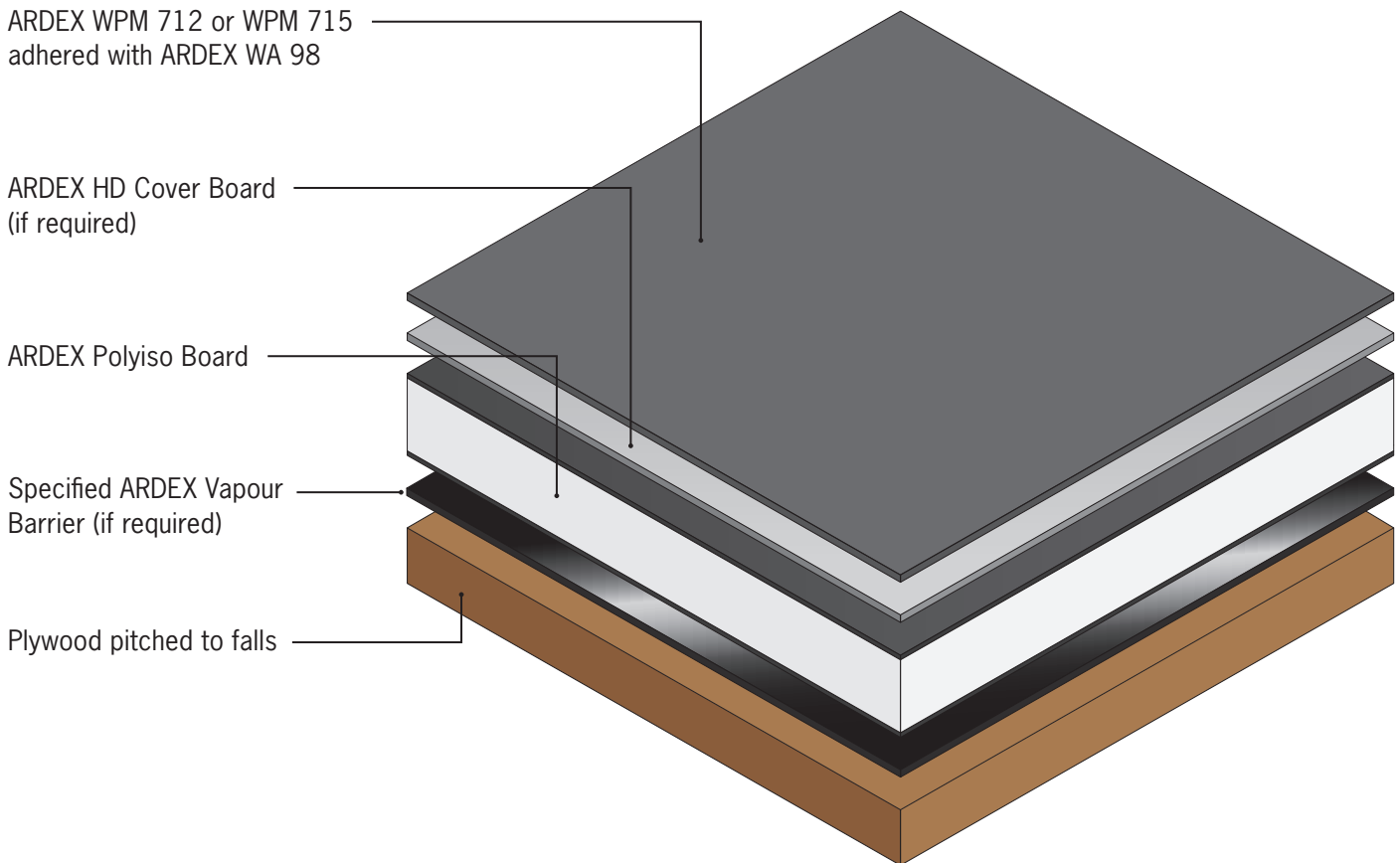


WELDTEC™ WARM ROOF SYSTEM

PLYWOOD SUBSTRATE

The exact functionality and buildup of systems should be discussed with your ARDEX Architectural Specifications Manager prior to finalising the design.

Fastening of ARDEX Polyiso Board has been omitted from these illustrations for clarity.

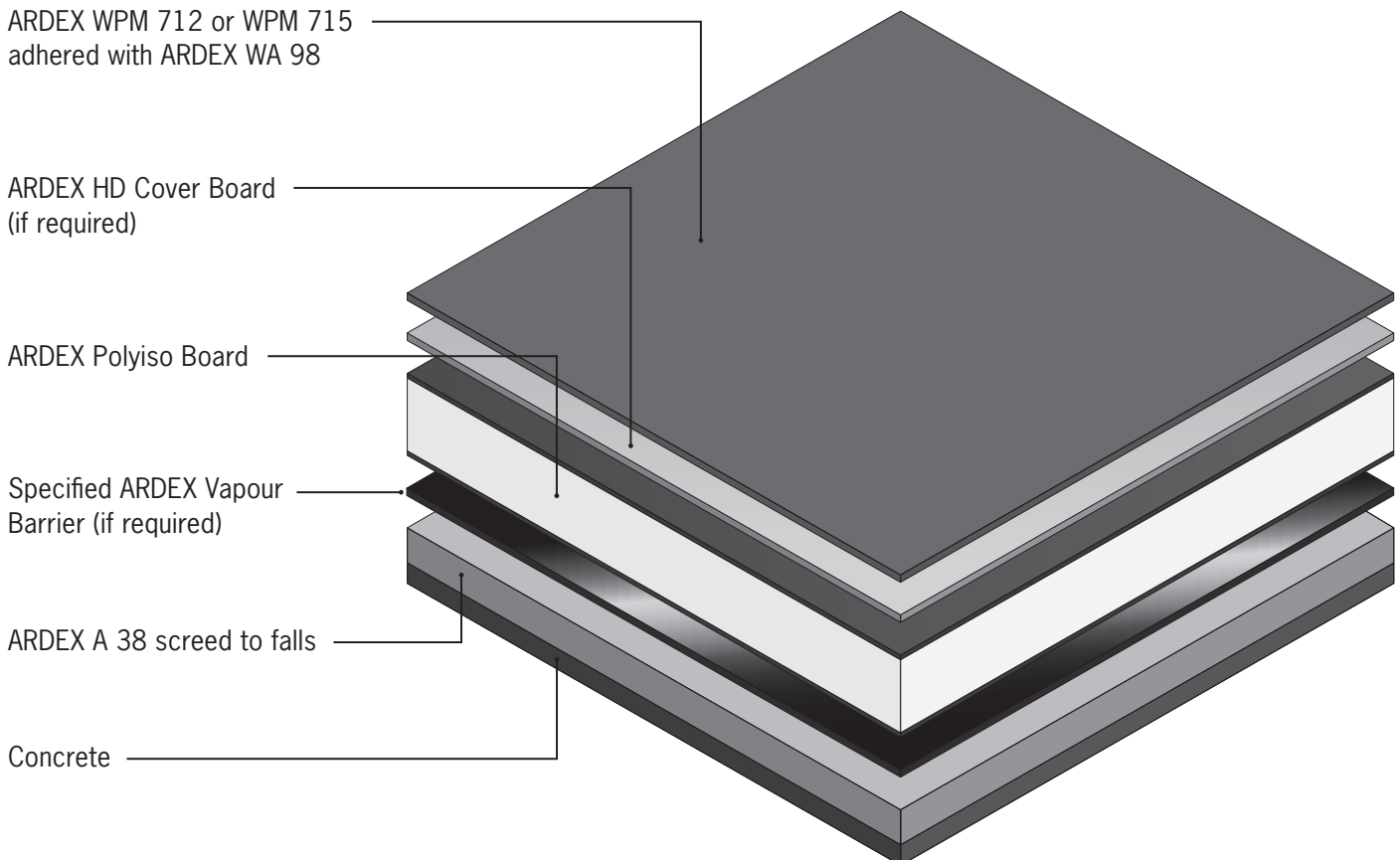


WELDTEC™ WARM ROOF SYSTEM

CONCRETE SUBSTRATE

The exact functionality and buildup of systems should be discussed with your ARDEX Architectural Specifications Manager prior to finalising the design.

Fastening of ARDEX Polyiso Board has been omitted from these illustrations for clarity.



WELDTEC™ WARM ROOF SYSTEM

METAL DECK SUBSTRATE

The exact functionality and buildup of systems should be discussed with your ARDEX Architectural Specifications Manager prior to finalising the design.

Fastening of ARDEX Polyiso Board has been omitted from these illustrations for clarity.

