

ARDEX WELDTEC TANKING DRAWING LIST

DRAWING NO.	SHEET TITLE	DATE
AWT-00	DRAWING LIST	27.08.2019
AWT-01	INTERNAL CORNER DETAIL	27.08.2019
AWT-02	ALTERNATIVE BASE DETAIL	27.08.2019
AWT-03	TYPICAL BASE DETAIL	27.08.2019
AWT-04	PRE APPLIED PIPE PENETRATION	27.08.2019
AWT-05	EXTERNAL CORNER DETAIL	27.08.2019
AWT-06	BOLT HOLE TREATMENT	27.08.2019
AWT-07	POST APPLIED HORIZONTAL PIPE PENETRATION	27.08.2019
AWT-08	WALL TERMINATION	27.08.2019
AWT-09	BASE DETAIL WPM 1500 VERTICAL POST APPLIED	27.08.2019
AWT-10	WALL/FLOOR MOVEMENT JOINT	27.08.2019
AWT-11	PILE CAP DETAIL	27.08.2019
AWT-12	EXISTING WALL/SLAB DETAIL	27.08.2019

WELDTEC TANKING

DRAWING LIST

SHEET TITLE

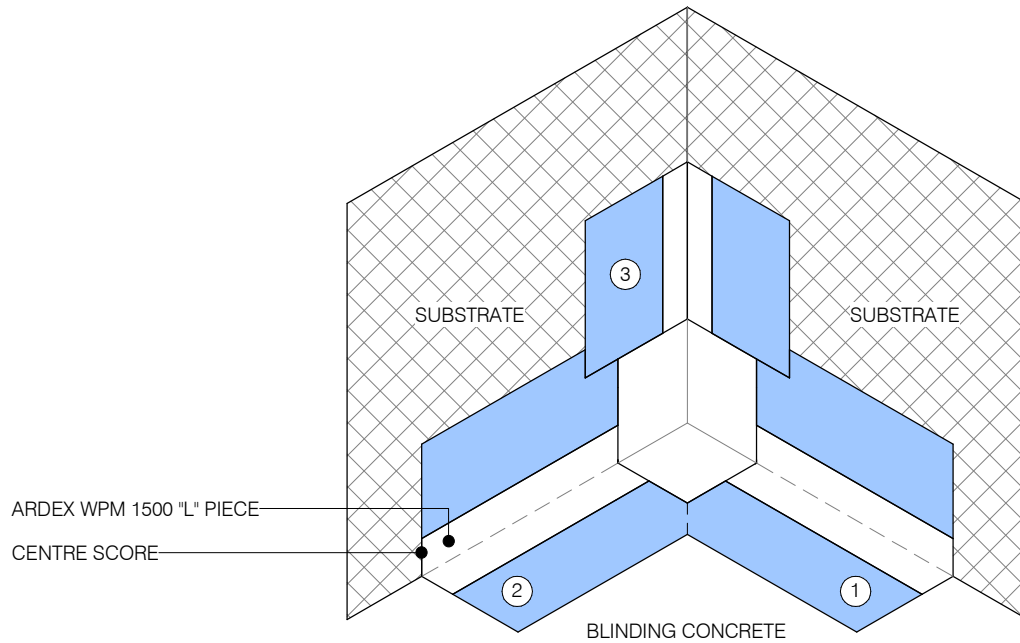
DWG NO. **AWT-00**

DATE 27.08.2019

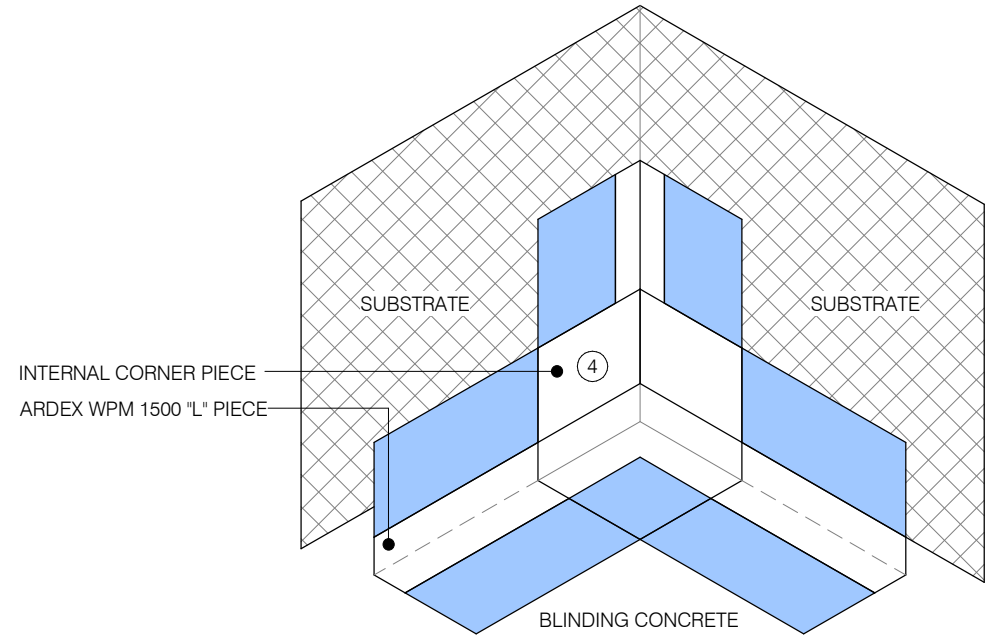
SCALE **NOT TO SCALE**



Disclaimer: Ardex makes every reasonable effort to ensure that the technical details, recommendations and other information contained in this drawing are accurate and represent our knowledge and experience at the time of design and publication. Ardex reserves the right to change the information without prior notice. Ardex provides the information in good faith with no representations or warranties (whether implied or otherwise), and will not be liable for any losses or damages, whether direct, indirect or consequential whatsoever, whether in contract, negligence or any other action, arising out of or in connection with the use, or inability to use, the information. It is your responsibility to ensure that our products are used only for the purposes for which they are intended and are used in accordance with any applicable specifications, guidelines, standards, codes of practice, regulations and laws. The supply of our products and services are also subject to certain terms, warranties and exclusions which are available on request.



APPLICATION SEQUENCE "L" PIECES



APPLICATION SEQUENCE "L" PIECES

WELDTEC TANKING

INTERNAL CORNER DETAIL

SHEET TITLE

DWG NO. **AWT-01**

DATE 27.08.2019

SCALE NOT TO SCALE



Disclaimer: Ardex makes every reasonable effort to ensure that the technical details, recommendations and other information contained in this drawing are accurate and represent our knowledge and experience at the time of design and publication. Ardex reserves the right to change the information without prior notice. Ardex provides the information in good faith with no representations or warranties (whether implied or otherwise), and will not be liable for any losses or damages, whether direct, indirect or consequential whatsoever, whether in contract, negligence or any other action, arising out of or in connection with the use, or inability to use, the information. It is your responsibility to ensure that our products are used only for the purposes for which they are intended and are used in accordance with any applicable specifications, guidelines, standards, codes of practice, regulations and laws. The supply of our products and services are also subject to certain terms, warranties and exclusions which are available on request.

ARDEX WPM 1955 ADHERED WITH
ARDEX RA 84

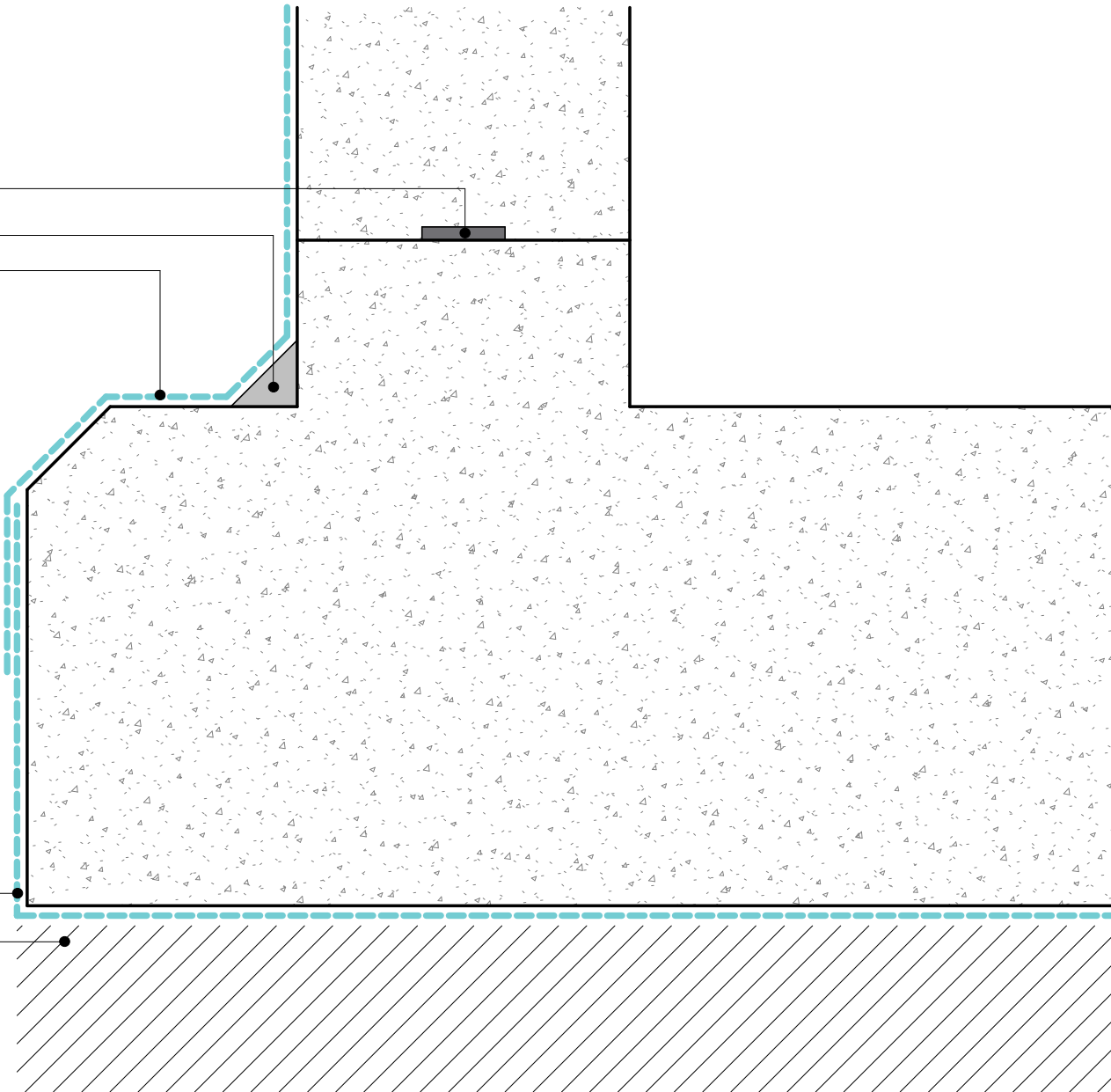
FILLET

ARDEX WPM 1500

MIN 50
WELD

ARDEX WPM 1500

SAND DUSTED HARCORE OR SIMILAR



WELDTEC TANKING

ALTERNATIVE BASE DETAIL

SHEET TITLE

DWG NO. **AWT-02**

DATE 27.08.2019

SCALE 1 : 2 @ A4



Disclaimer: Ardex makes every reasonable effort to ensure that the technical details, recommendations and other information contained in this drawing are accurate and represent our knowledge and experience at the time of design and publication. Ardex reserves the right to change the information without prior notice. Ardex provides the information in good faith with no representations or warranties (whether implied or otherwise), and will not be liable for any losses or damages, whether direct, indirect or consequential whatsoever, whether in contract, negligence or any other action, arising out of or in connection with the use, or inability to use, the information. It is your responsibility to ensure that our products are used only for the purposes for which they are intended and are used in accordance with any applicable specifications, guidelines, standards, codes of practice, regulations and laws. The supply of our products and services are also subject to certain terms, warranties and exclusions which are available on request.

ARDEX WPM 1955 ADHERED WITH
ARDEX RA 84

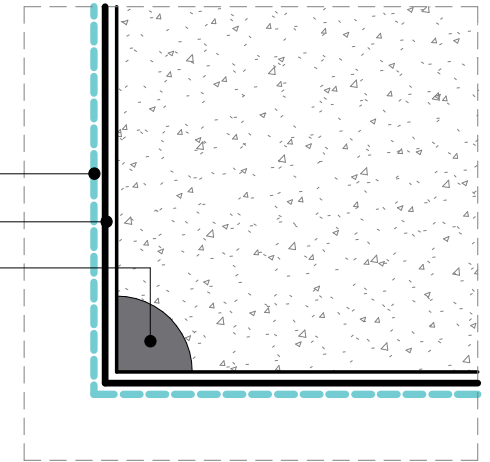
ARDEX WPM 1500

ARDEX WPM 1500 UNDERFLASHING

ARDEX RA 030 FILLET

ARDEX WPM 1500

ARDEX WPM 1500 UNDERFLASHING
ARDEX RA 030 FILLET



SCALE: 1:1

SCALE: 1:2

WELDTEC TANKING

TYPICAL BASE DETAIL

SHEET TITLE

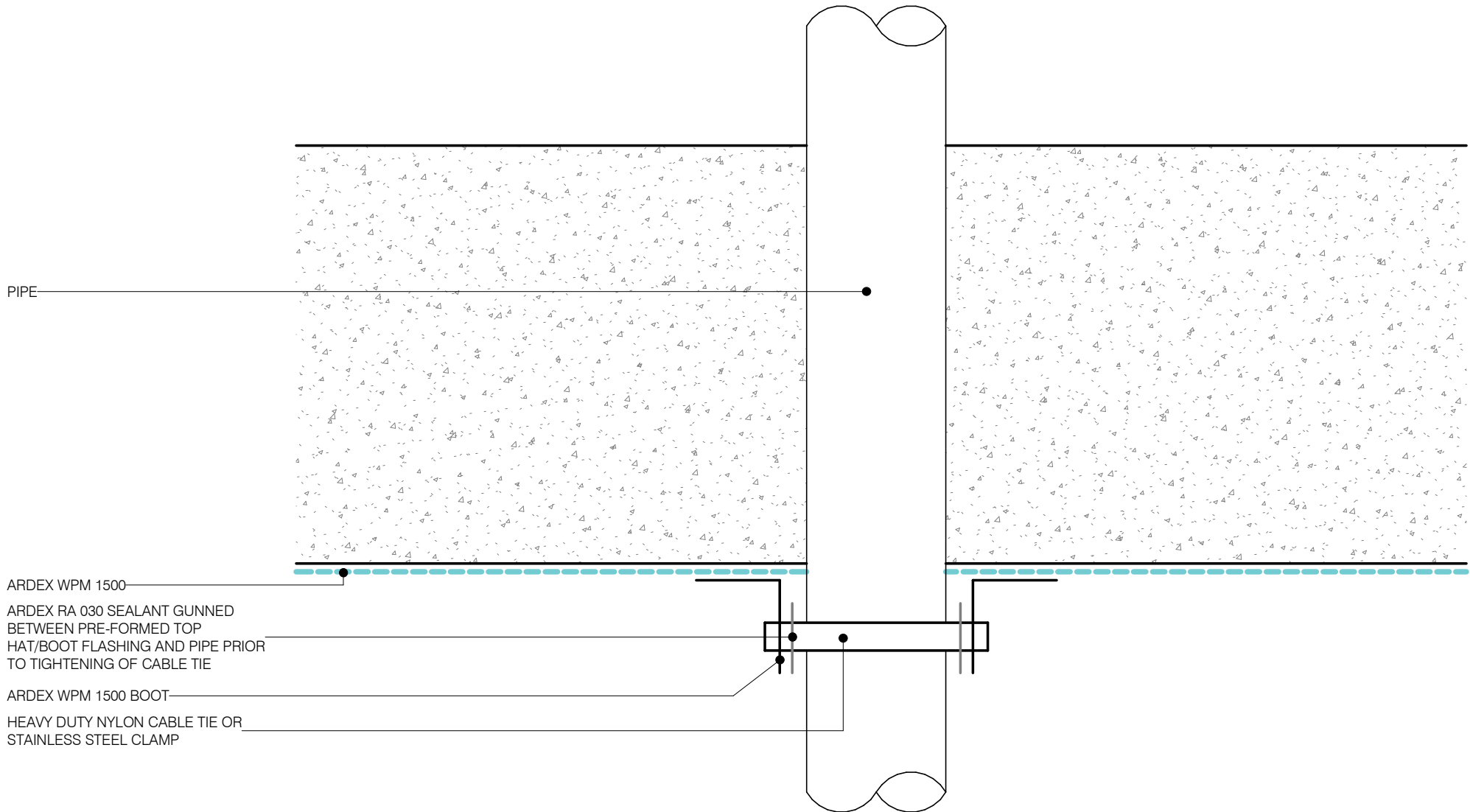
DWG NO. **AWT-03**

DATE 27.08.2019

SCALE As indicated



Disclaimer: Ardex makes every reasonable effort to ensure that the technical details, recommendations and other information contained in this drawing are accurate and represent our knowledge and experience at the time of design and publication. Ardex reserves the right to change the information without prior notice. Ardex provides the information in good faith with no representations or warranties (whether implied or otherwise), and will not be liable for any losses or damages, whether direct, indirect or consequential whatsoever, whether in contract, negligence or any other action, arising out of or in connection with the use, or inability to use, the information. It is your responsibility to ensure that our products are used only for the purposes for which they are intended and are used in accordance with any applicable specifications, guidelines, standards, codes of practice, regulations and laws. The supply of our products and services are also subject to certain terms, warranties and exclusions which are available on request.



PIPE

ARDEX WPM 1500

ARDEX RA 030 SEALANT GUNNED
BETWEEN PRE-FORMED TOP
HAT/BOOT FLASHING AND PIPE PRIOR
TO TIGHTENING OF CABLE TIE

ARDEX WPM 1500 BOOT

HEAVY DUTY NYLON CABLE TIE OR
STAINLESS STEEL CLAMP

WELDTEC TANKING

PRE APPLIED PIPE PENETRATION

SHEET TITLE

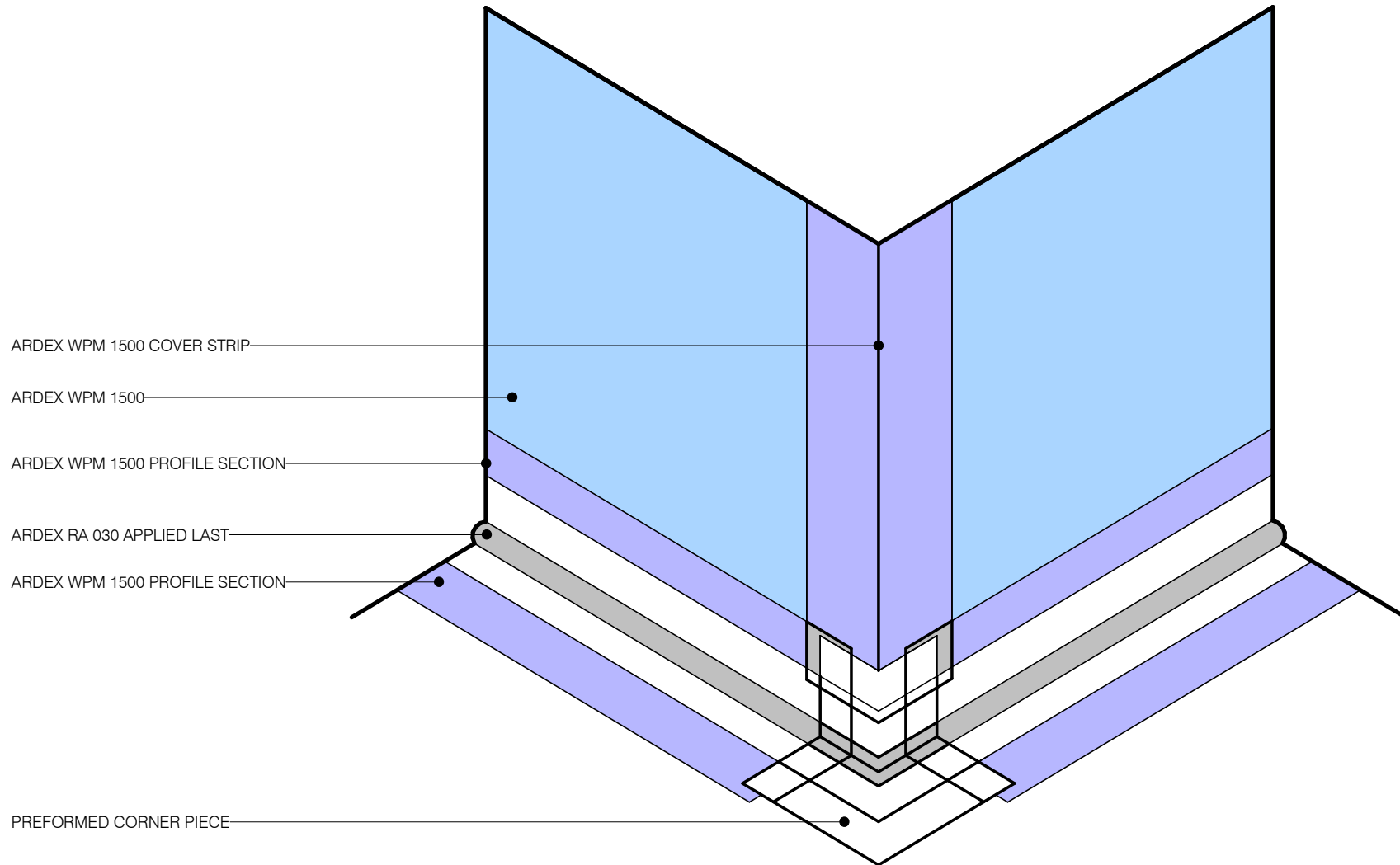
DWG NO. **AWT-04**

DATE 27.08.2019

SCALE 1 : 2 @ A4



Disclaimer: Ardex makes every reasonable effort to ensure that the technical details, recommendations and other information contained in this drawing are accurate and represent our knowledge and experience at the time of design and publication. Ardex reserves the right to change the information without prior notice. Ardex provides the information in good faith with no representations or warranties (whether implied or otherwise), and will not be liable for any losses or damages, whether direct, indirect or consequential whatsoever, whether in contract, negligence or any other action, arising out of or in connection with the use, or inability to use, the information. It is your responsibility to ensure that our products are used only for the purposes for which they are intended and are used in accordance with any applicable specifications, guidelines, standards, codes of practice, regulations and laws. The supply of our products and services are also subject to certain terms, warranties and exclusions which are available on request.



WELDTEC TANKING

EXTERNAL CORNER DETAIL

SHEET TITLE

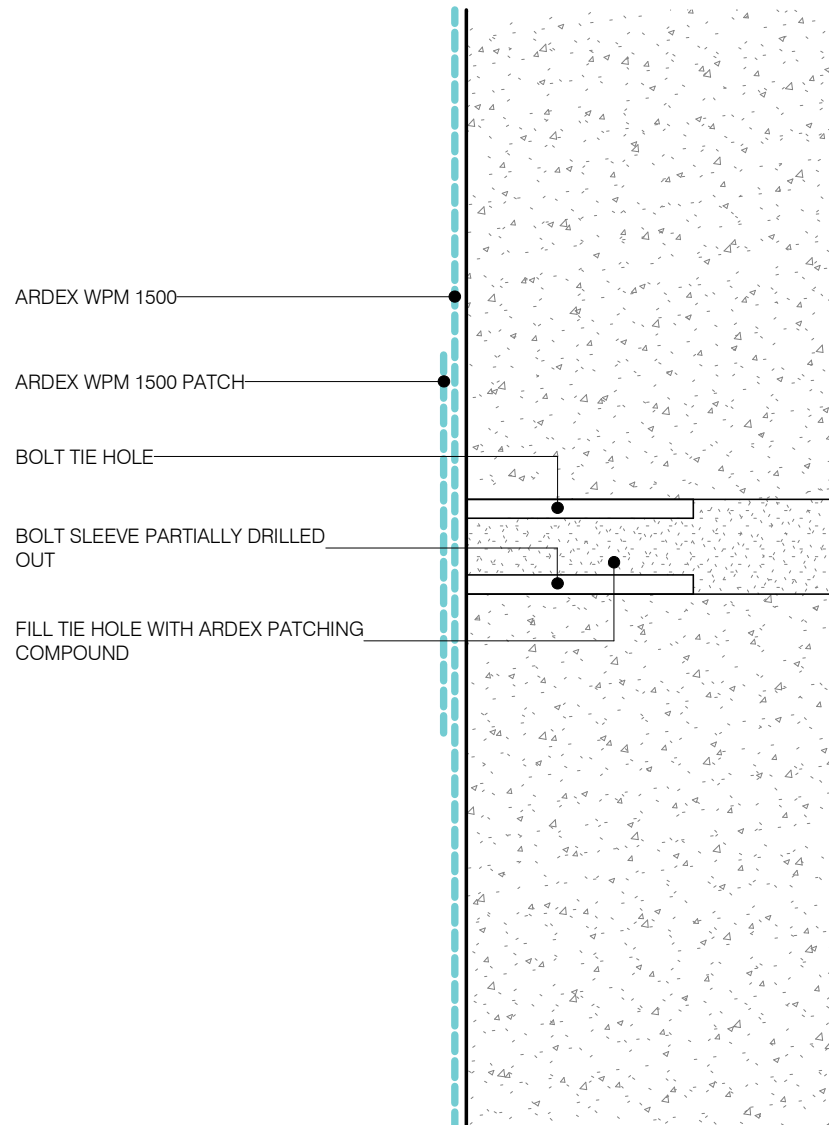
DWG NO. **AWT-05**

DATE 27.08.2019

SCALE NOT TO SCALE



Disclaimer: Ardex makes every reasonable effort to ensure that the technical details, recommendations and other information contained in this drawing are accurate and represent our knowledge and experience at the time of design and publication. Ardex reserves the right to change the information without prior notice. Ardex provides the information in good faith with no representations or warranties (whether implied or otherwise), and will not be liable for any losses or damages, whether direct, indirect or consequential whatsoever, whether in contract, negligence or any other action, arising out of or in connection with the use, or inability to use, the information. It is your responsibility to ensure that our products are used only for the purposes for which they are intended and are used in accordance with any applicable specifications, guidelines, standards, codes of practice, regulations and laws. The supply of our products and services are also subject to certain terms, warranties and exclusions which are available on request.



WELDTEC TANKING

BOLT HOLE TREATMENT

SHEET TITLE

DWG NO. **AWT-06**

DATE 27.08.2019

SCALE 1 : 2 @ A4



Disclaimer: Ardex makes every reasonable effort to ensure that the technical details, recommendations and other information contained in this drawing are accurate and represent our knowledge and experience at the time of design and publication. Ardex reserves the right to change the information without prior notice. Ardex provides the information in good faith with no representations or warranties (whether implied or otherwise), and will not be liable for any losses or damages, whether direct, indirect or consequential whatsoever, whether in contract, negligence or any other action, arising out of or in connection with the use, or inability to use, the information. It is your responsibility to ensure that our products are used only for the purposes for which they are intended and are used in accordance with any applicable specifications, guidelines, standards, codes of practice, regulations and laws. The supply of our products and services are also subject to certain terms, warranties and exclusions which are available on request.

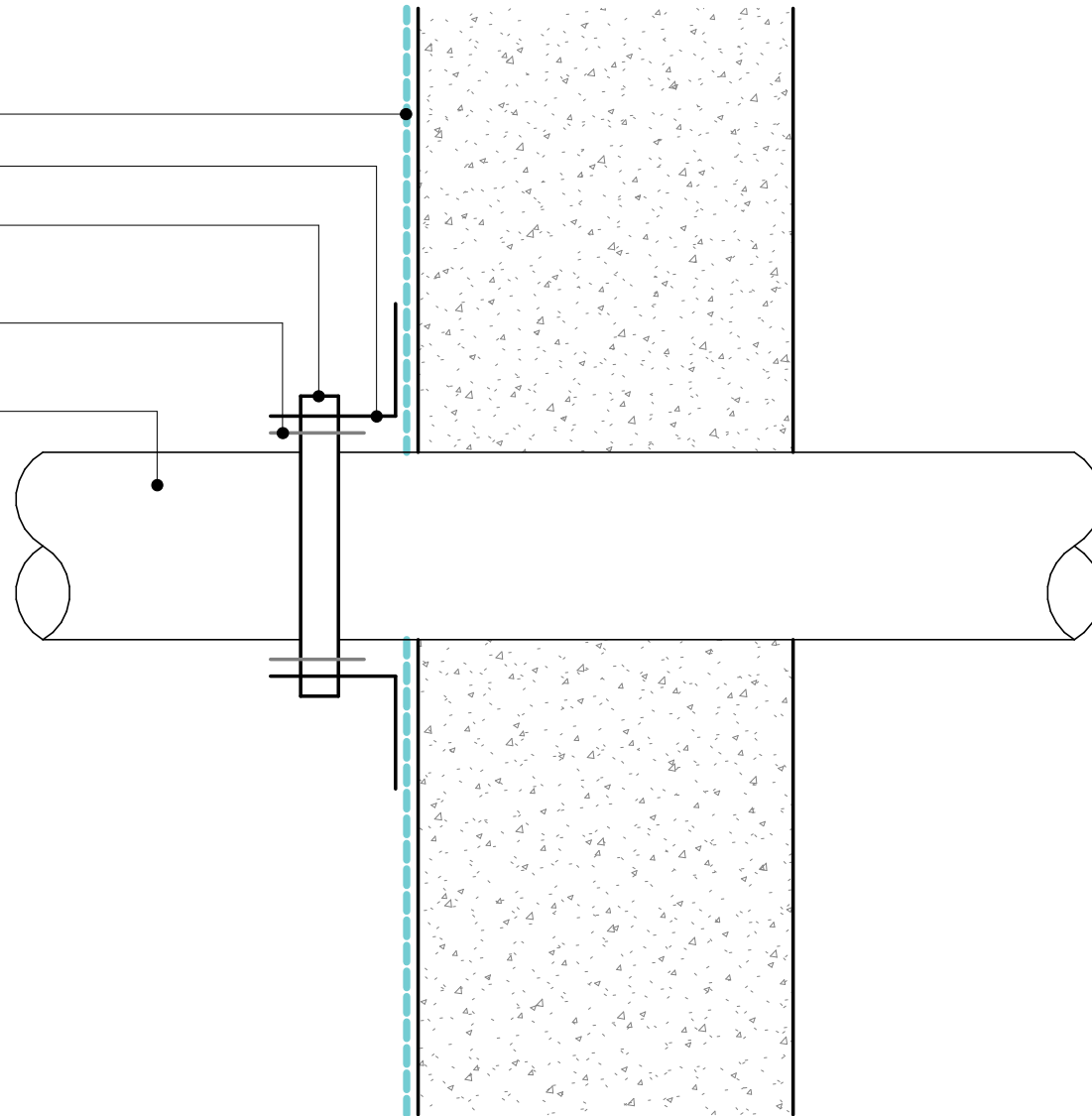
ARDEX WPM 1500

ARDEX WPM 1500 BOOT

HEAVY DUTY NYLON CABLE TIE OR
STAINLESS STEEL CLAMP

ARDEX RA 030 SEALANT GUNNED
BETWEEN PRE-FORMED TOP
HAT/BOOT FLASHING AND PIPE PRIOR
TO TIGHTENING OF CABLE TIE

PIPE



WELDTEC TANKING

POST APPLIED HORIZONTAL PIPE PENETRATION

SHEET TITLE

DWG NO. **AWT-07**

DATE 27.08.2019

SCALE 1 : 2 @ A4



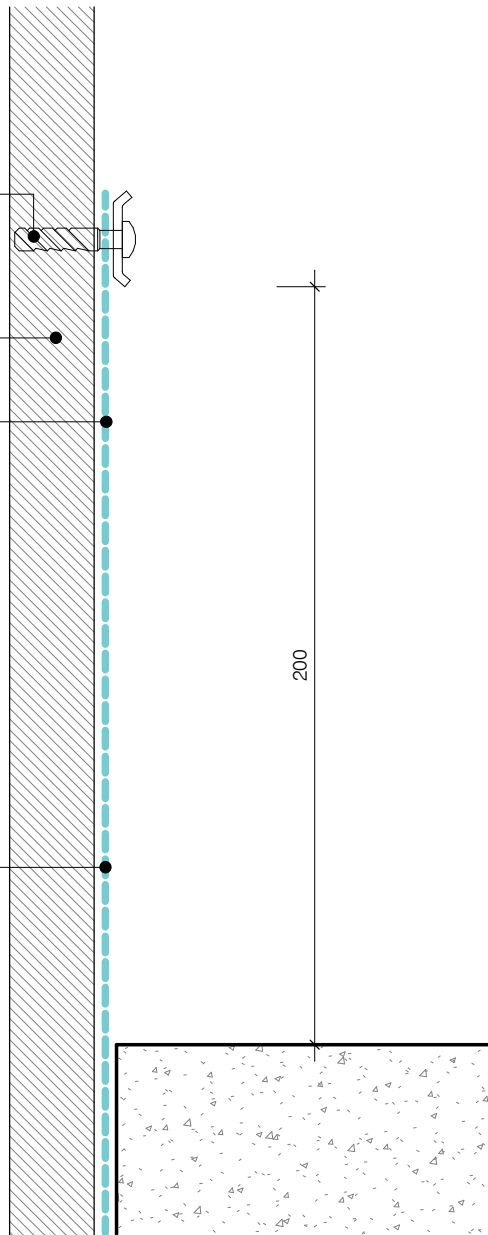
Disclaimer: Ardex makes every reasonable effort to ensure that the technical details, recommendations and other information contained in this drawing are accurate and represent our knowledge and experience at the time of design and publication. Ardex reserves the right to change the information without prior notice. Ardex provides the information in good faith with no representations or warranties (whether implied or otherwise), and will not be liable for any losses or damages, whether direct, indirect or consequential whatsoever, whether in contract, negligence or any other action, arising out of or in connection with the use, or inability to use, the information. It is your responsibility to ensure that our products are used only for the purposes for which they are intended and are used in accordance with any applicable specifications, guidelines, standards, codes of practice, regulations and laws. The supply of our products and services are also subject to certain terms, warranties and exclusions which are available on request.

MECHANICAL SEAL THROUGH ARDEX
WPM 1500 ABOVE EXTENT OF
CONCRETE WALL

SUBSTRATE BOARD

ARDEX WPM 1500

CUT ARDEX WPM 1500 WHEN
STRIKING THE SUBSTRATE



WELDTEC TANKING

WALL TERMINATION

SHEET TITLE

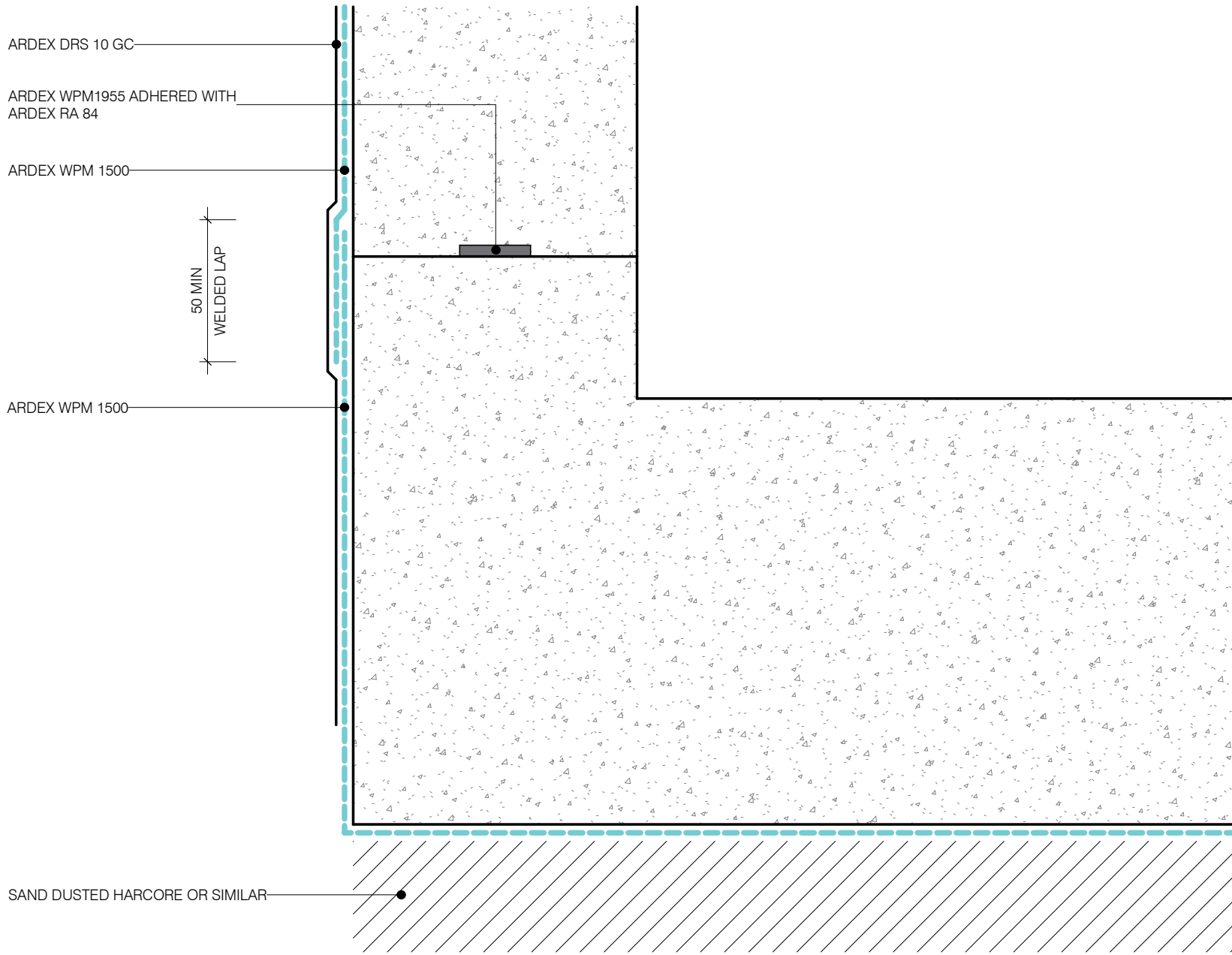
DWG NO. **AWT-08**

DATE 27.08.2019

SCALE 1 : 2 @ A4



Disclaimer: Ardex makes every reasonable effort to ensure that the technical details, recommendations and other information contained in this drawing are accurate and represent our knowledge and experience at the time of design and publication. Ardex reserves the right to change the information without prior notice. Ardex provides the information in good faith with no representations or warranties (whether implied or otherwise), and will not be liable for any losses or damages, whether direct, indirect or consequential whatsoever, whether in contract, negligence or any other action, arising out of or in connection with the use, or inability to use, the information. It is your responsibility to ensure that our products are used only for the purposes for which they are intended and are used in accordance with any applicable specifications, guidelines, standards, codes of practice, regulations and laws. The supply of our products and services are also subject to certain terms, warranties and exclusions which are available on request.



WELDTEC TANKING

BASE DETAIL WPM 1500 VERTICAL POST APPLIED

SHEET TITLE

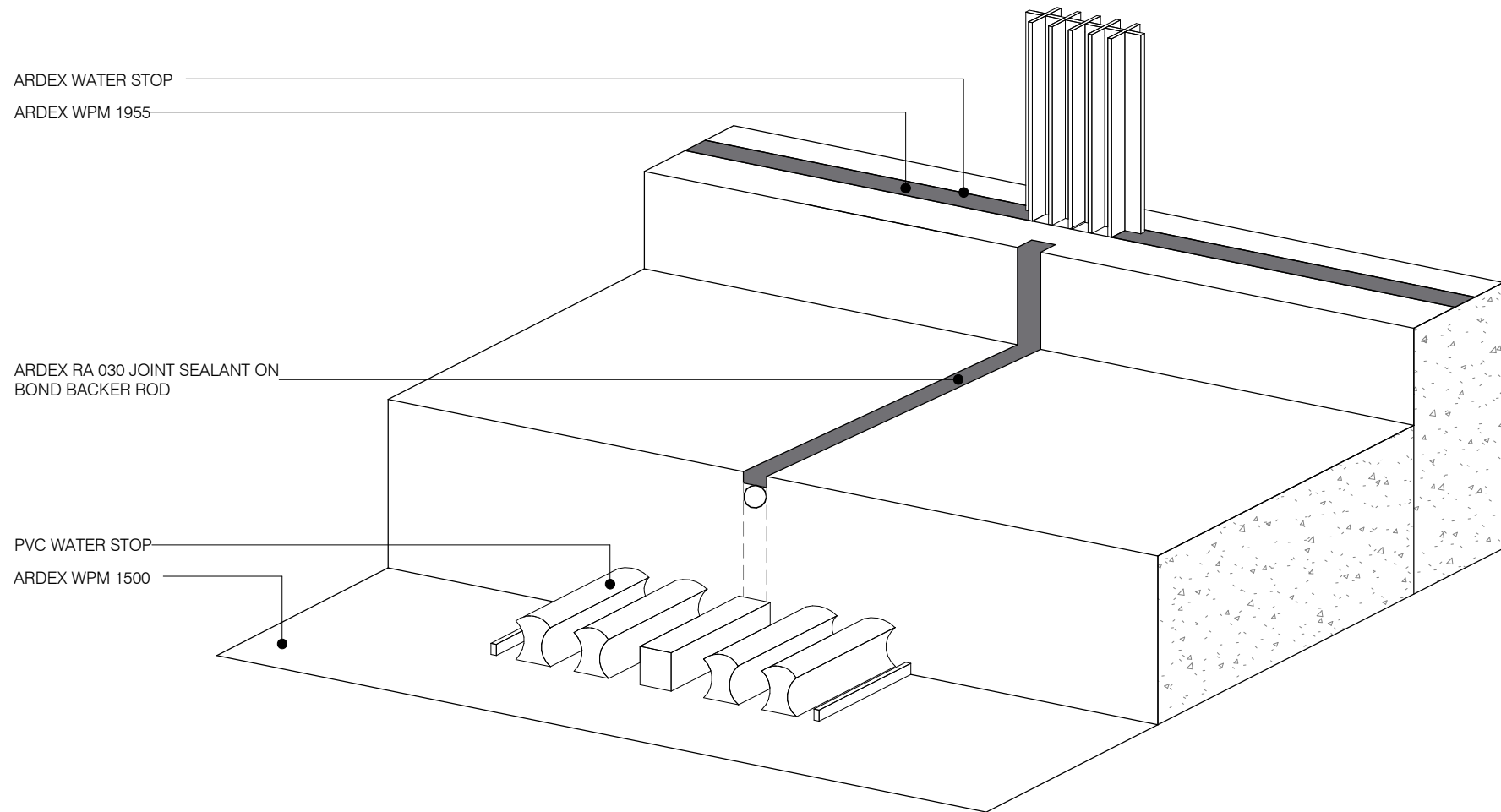
DWG NO. **AWT-09**

DATE 27.08.2019

SCALE 1 : 2 @ A4



Disclaimer: Ardex makes every reasonable effort to ensure that the technical details, recommendations and other information contained in this drawing are accurate and represent our knowledge and experience at the time of design and publication. Ardex reserves the right to change the information without prior notice. Ardex provides the information in good faith with no representations or warranties (whether implied or otherwise), and will not be liable for any losses or damages, whether direct, indirect or consequential whatsoever, whether in contract, negligence or any other action, arising out of or in connection with the use, or inability to use, the information. It is your responsibility to ensure that our products are used only for the purposes for which they are intended and are used in accordance with any applicable specifications, guidelines, standards, codes of practice, regulations and laws. The supply of our products and services are also subject to certain terms, warranties and exclusions which are available on request.



ARDEX WATER STOP

ARDEX WPM 1955

ARDEX RA 030 JOINT SEALANT ON
BOND BACKER ROD

PVC WATER STOP

ARDEX WPM 1500

WELDTEC TANKING

WALL/FLOOR MOVEMENT JOINT

SHEET TITLE

DWG NO. **AWT-10**

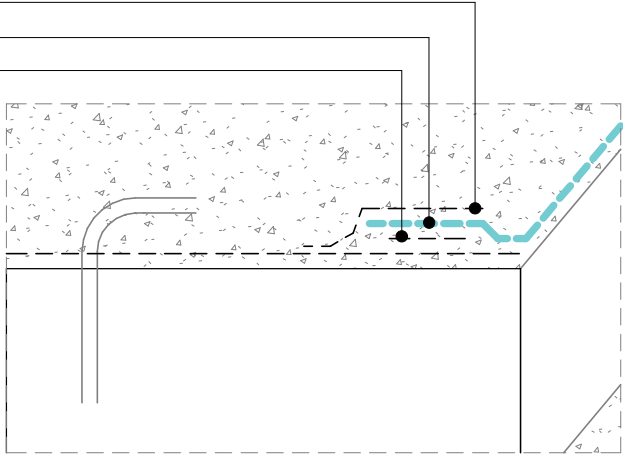
DATE 27.08.2019

SCALE NOT TO SCALE



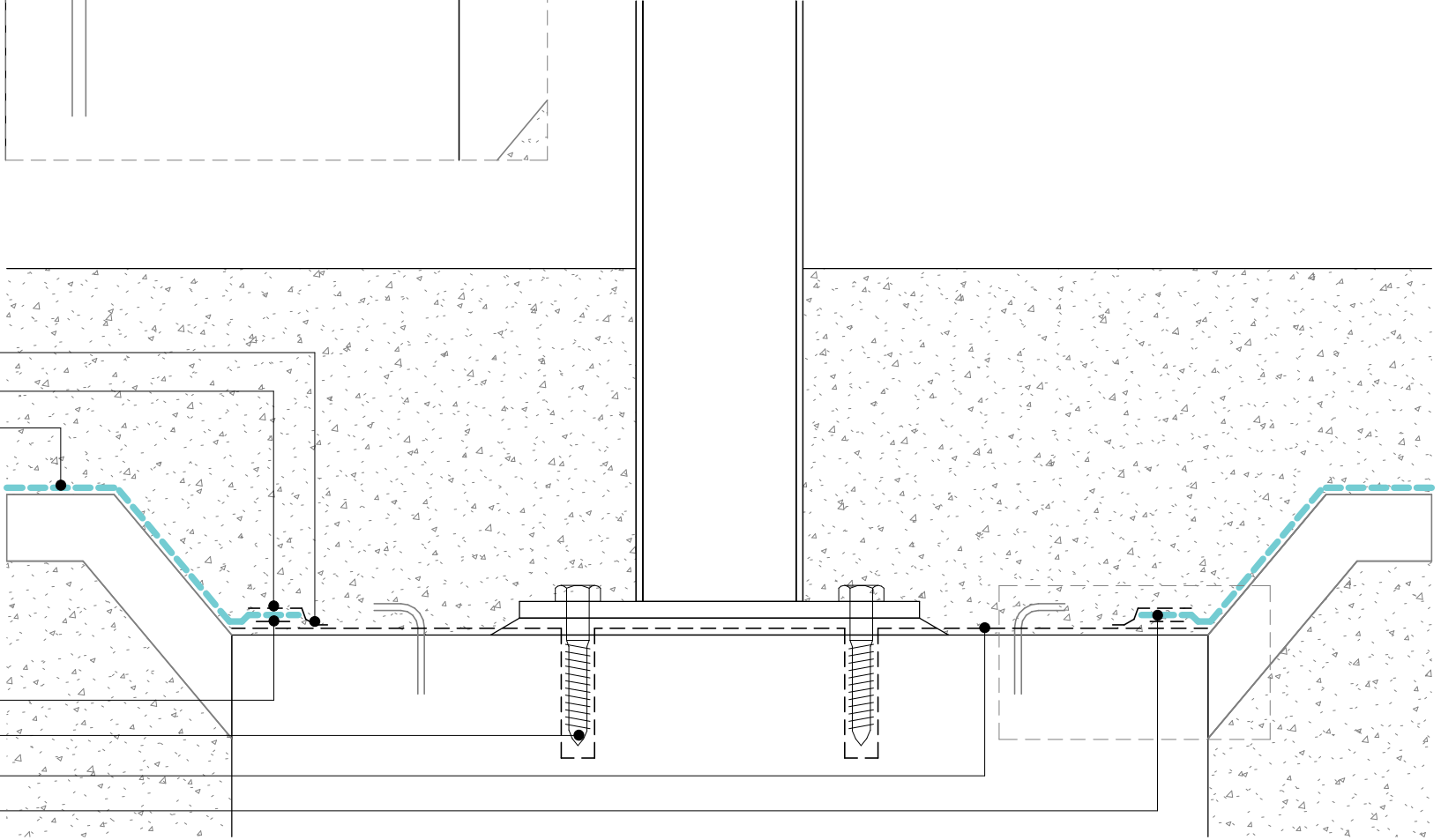
Disclaimer: Ardex makes every reasonable effort to ensure that the technical details, recommendations and other information contained in this drawing are accurate and represent our knowledge and experience at the time of design and publication. Ardex reserves the right to change the information without prior notice. Ardex provides the information in good faith with no representations or warranties (whether implied or otherwise), and will not be liable for any losses or damages, whether direct, indirect or consequential whatsoever, whether in contract, negligence or any other action, arising out of or in connection with the use, or inability to use, the information. It is your responsibility to ensure that our products are used only for the purposes for which they are intended and are used in accordance with any applicable specifications, guidelines, standards, codes of practice, regulations and laws. The supply of our products and services are also subject to certain terms, warranties and exclusions which are available on request.

ARDEX FLASHING TAPE
 ARDEX WPM 1500
 ARDEX EG 800 F + FILLERS



SCALE: 1:1

DETAIL TAPE
 ARDEX FLASHING TAPE
 ARDEX WPM 1500
 ARDEX FLASHING TAPE
 LOAD DESIGNED ANCHOR
 ARDEX EG 800 F + FILLERS
 ARDEX WPM 1500



SCALE: 1:2

WELDTEC TANKING

PILE CAP DETAIL
 SHEET TITLE

DWG NO. **AWT-11**
 DATE 27.08.2019
 SCALE As indicated



Disclaimer: Ardex makes every reasonable effort to ensure that the technical details, recommendations and other information contained in this drawing are accurate and represent our knowledge and experience at the time of design and publication. Ardex reserves the right to change the information without prior notice. Ardex provides the information in good faith with no representations or warranties (whether implied or otherwise), and will not be liable for any losses or damages, whether direct, indirect or consequential whatsoever, whether in contract, negligence or any other action, arising out of or in connection with the use, or inability to use, the information. It is your responsibility to ensure that our products are used only for the purposes for which they are intended and are used in accordance with any applicable specifications, guidelines, standards, codes of practice, regulations and laws. The supply of our products and services are also subject to certain terms, warranties and exclusions which are available on request.

NEW WALL

ARDEX WPM 1500

ARDEX WPM 1955 ADHERED WITH
ARDEX RA 84

EXISTING STRUCTURE

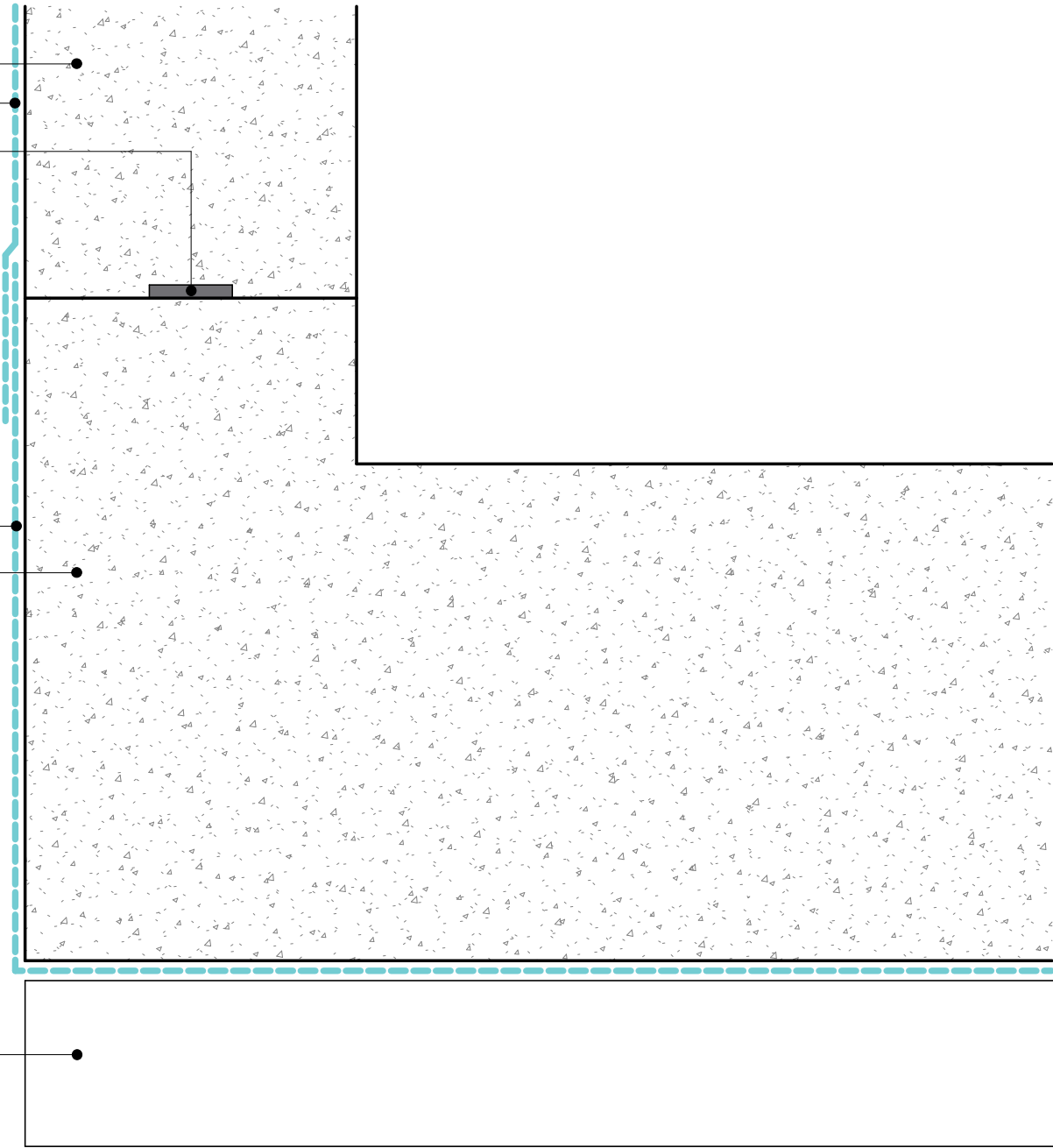
50 MIN
WELDED LAP

RENDER OR SACRIFICIAL SHEET
FIXED TO EXISTING WALL

ARDEX WPM 1500

NEW SLAB

EXISTING SLAB



WELDTEC TANKING

EXISTING WALL/SLAB DETAIL

SHEET TITLE

DWG NO. **AWT-12**

DATE 27.08.2019

SCALE 1 : 2 @ A4



Disclaimer: Ardex makes every reasonable effort to ensure that the technical details, recommendations and other information contained in this drawing are accurate and represent our knowledge and experience at the time of design and publication. Ardex reserves the right to change the information without prior notice. Ardex provides the information in good faith with no representations or warranties (whether implied or otherwise), and will not be liable for any losses or damages, whether direct, indirect or consequential whatsoever, whether in contract, negligence or any other action, arising out of or in connection with the use, or inability to use, the information. It is your responsibility to ensure that our products are used only for the purposes for which they are intended and are used in accordance with any applicable specifications, guidelines, standards, codes of practice, regulations and laws. The supply of our products and services are also subject to certain terms, warranties and exclusions which are available on request.