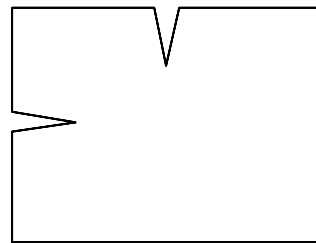
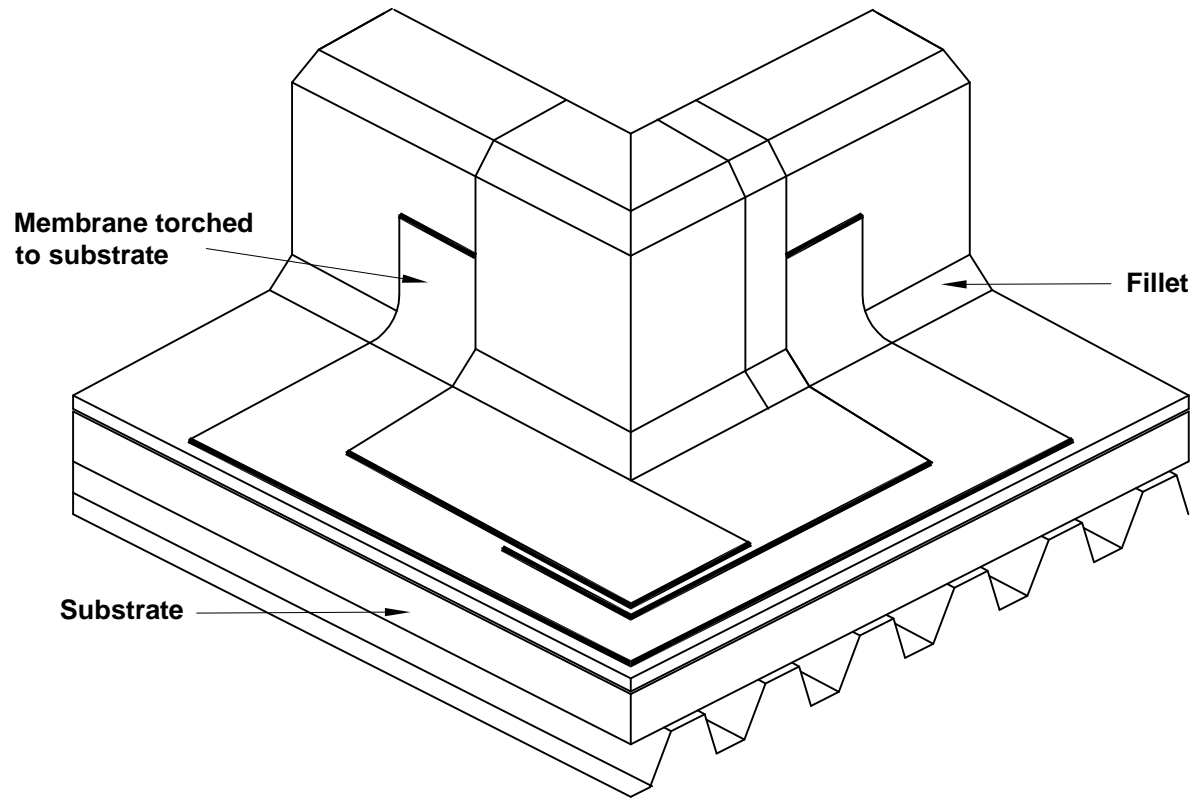
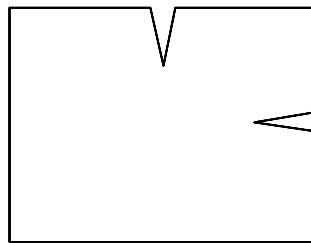


NOTES



STEP 1



STEP 2

Typical details do not indicate number of layers required



The technical details, recommendations & other information contained in this drawing is given in good faith & represents the best of our knowledge and experience at the time of design. It is your responsibility to ensure that our products are used used correctly in accordance with any applicable Australian Standard, our instructions & recommendations are only for the uses they are intended. We also reserve the right to update information without prior notice to reflect our ongoing research and development program.

Country specific recommendations, depending on local standards, codes of practice, building regulations and industry guidelines may effect specific installation recommendations.

The supply of our products and services are also subject to certain terms, warranties & exclusions which are available to you on request.

FILE NAME
OutsideCorner

DRAWN
15/1/2016 by MZ

CHECKED

SIZE
A4

ARDEX AUSTRALIA
www.ardexaustralia.com

SCALE
NTS

DRAWING
CODE
OC