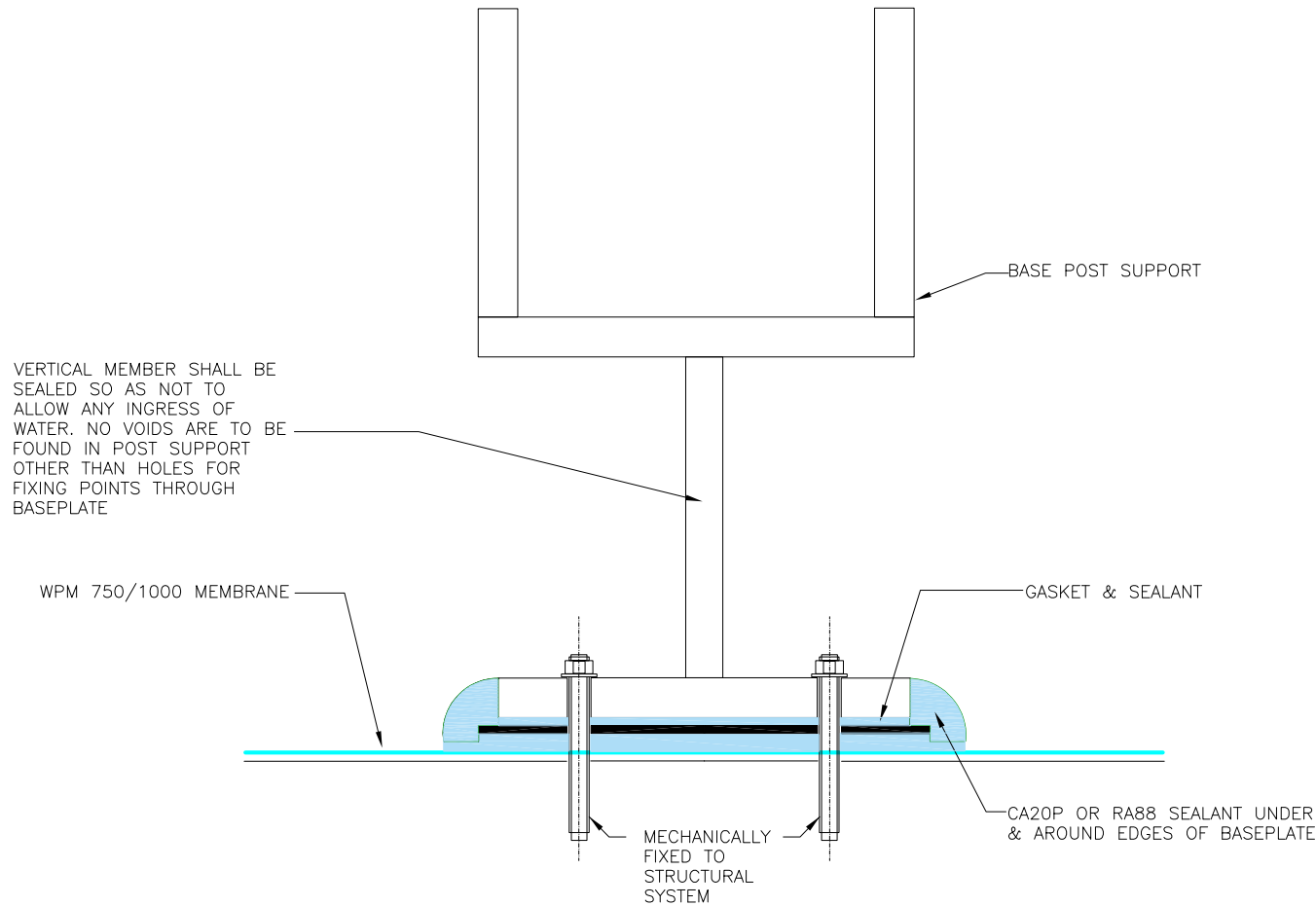


METAL POST SUPPORT -  
AFTER MEMBRANE  
INSTALLATION WPM  
750/1000 MEMBRANE

NOTES



The technical details, recommendations & other information contained in this drawing is given in good faith & represents the best of our knowledge and experience at the time of design. It is your responsibility to ensure that our products are used used correctly in accordance with any applicable Australian Standard, our instructions & recommendations are only for the uses they are intended. We also reserve the right to update information without prior notice to reflect our ongoing research and development program.

Country specific recommendations, depending on local standards, codes of practice, building regulations and industry guidelines may effect specific installations.

The supply of our products and services are also subject to certain terms, warranties & exclusions which are available to you on request.

FILE NAME  
MetalPostSupportAfterMembraneInstallationWPM7501000

DRAWN  
18/8/2016 by MZ

CHECKED

SIZE  
A4

ARDEX AUSTRALIA  
www.ardexaustralia.com

SCALE  
NTS

DRAWING  
CODE MPSAMIWPM7501000